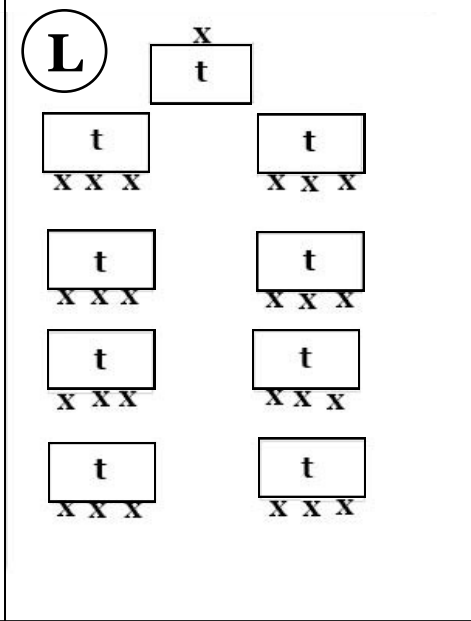
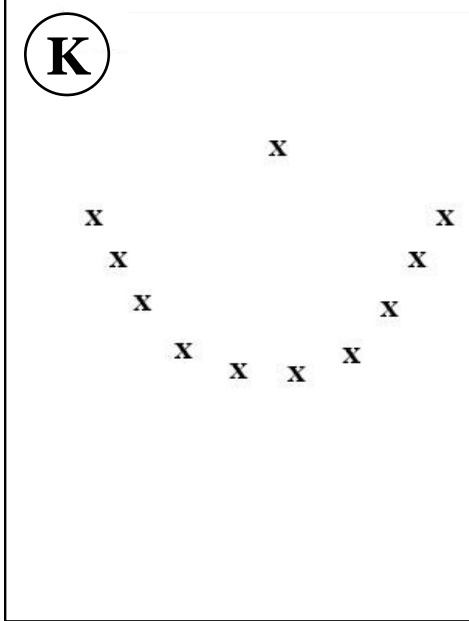
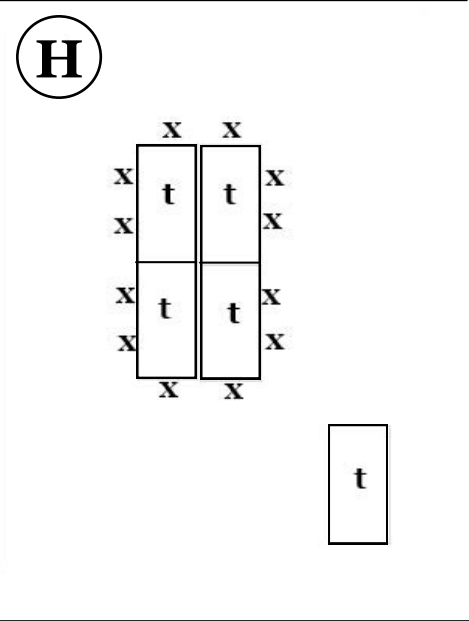
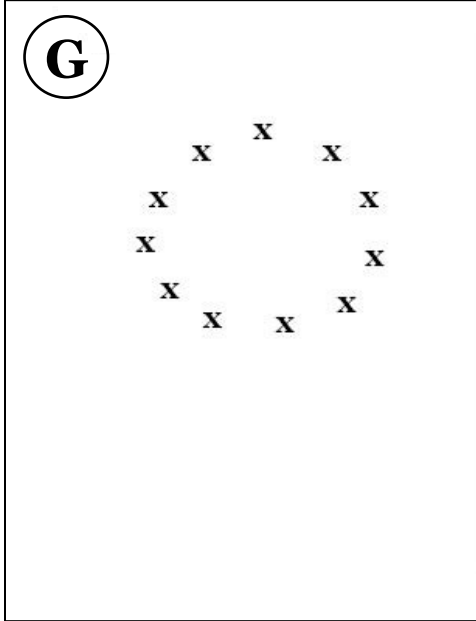
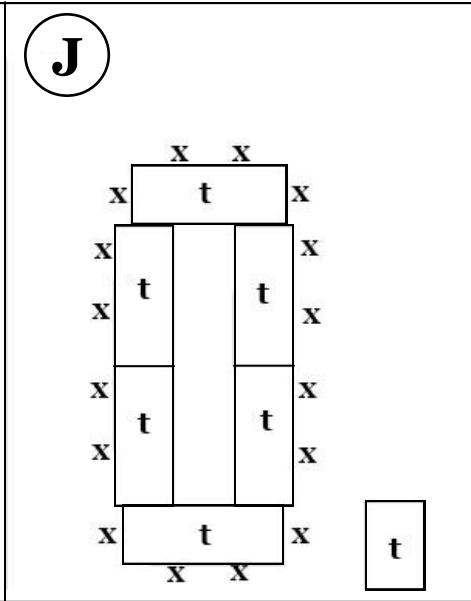
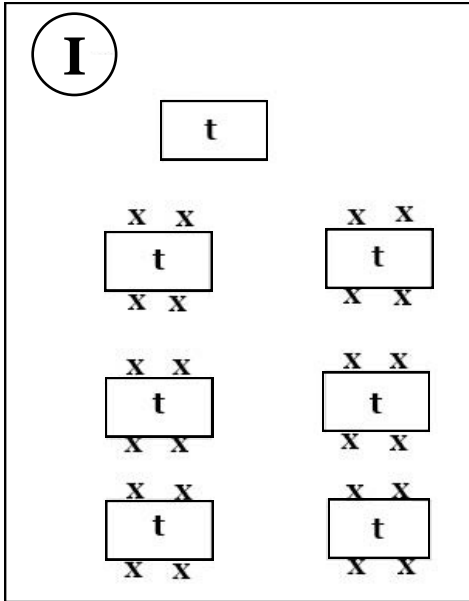
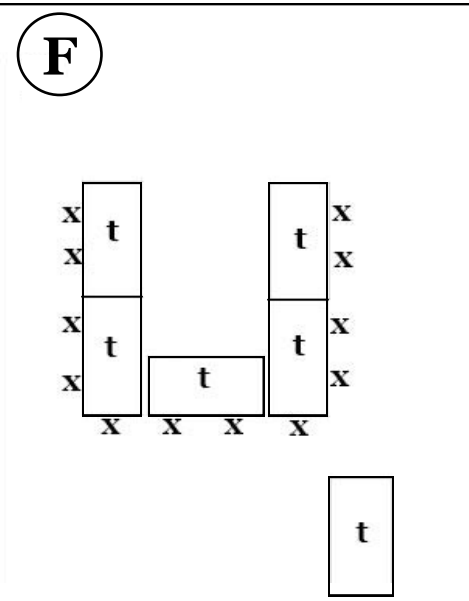
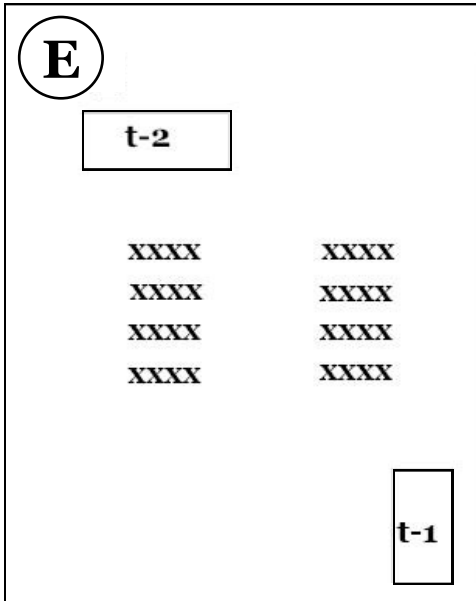


All groups wishing to use The Smithtown Library building's meeting rooms must select a room set-up from below.  
Please write the diagram letter chosen in the space provided on the Meeting Room Use Application form.



t = table      x = chair